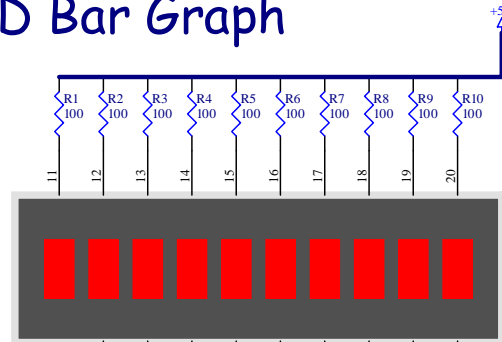


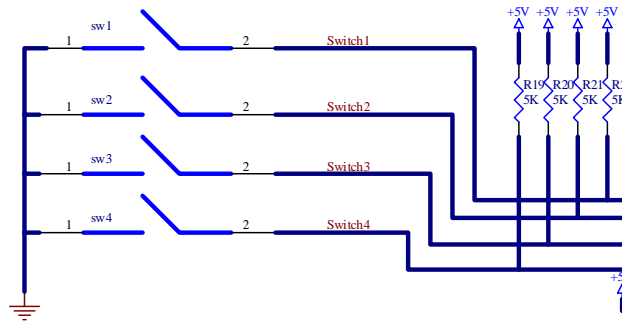
# Reading Analog signals and controlling Digital displays

## 10 LED Bar Graph

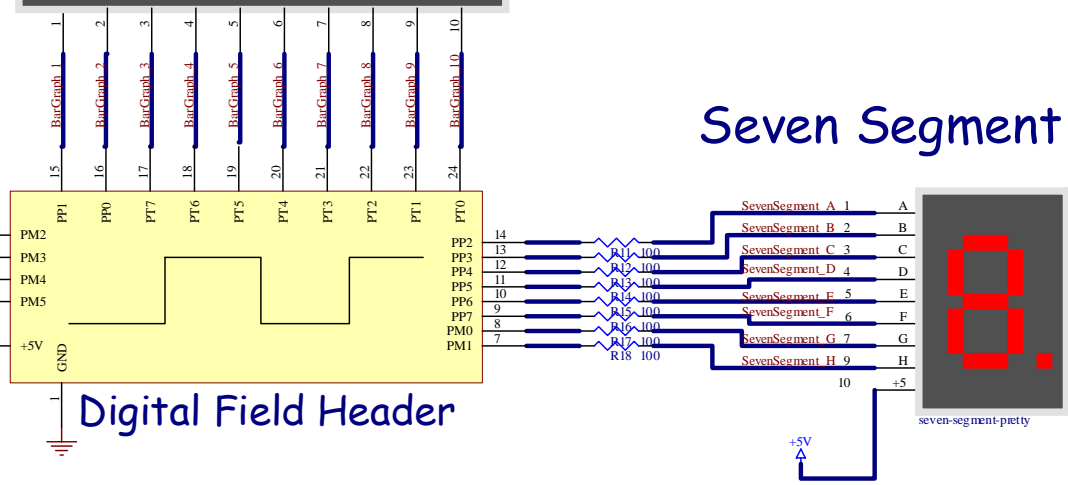


The LEDs in both the Bar Graph and Seven Segment Displays are wired in the "Active Low" configuration. This means that writing a logic "0" to pin will turn the led ON and not OFF. The reason for this configuration is that the Freescale 9S12 is able to sink more current into Ground than VCC.

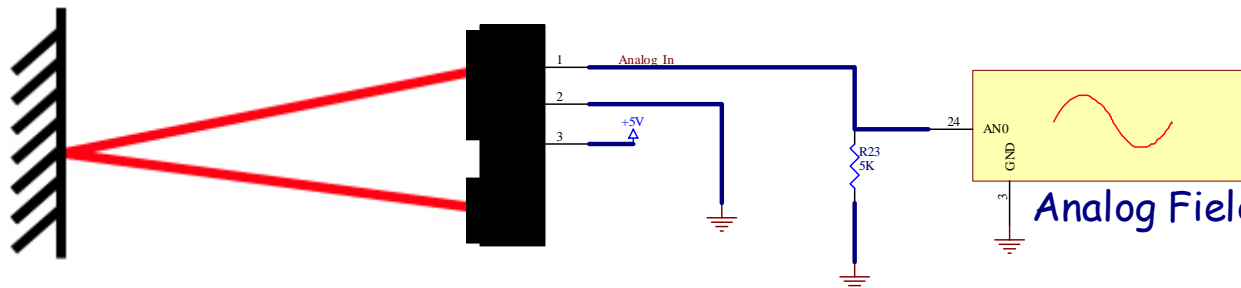
## Switches 1-4



## Seven Segment Display



## Infrared Distance Sensor



## Analog Field Header

Title <b>How to measure an Analog Distance Sen</b>		
Project [Microcontroller Projects]		
Size: A	Designer Ben Morse	Rev: 1.0
File: new.Sch		
Sheet 2 of 2	Date: 5/13/2010	5:56:09 PM
		Mosaic Industries