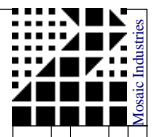
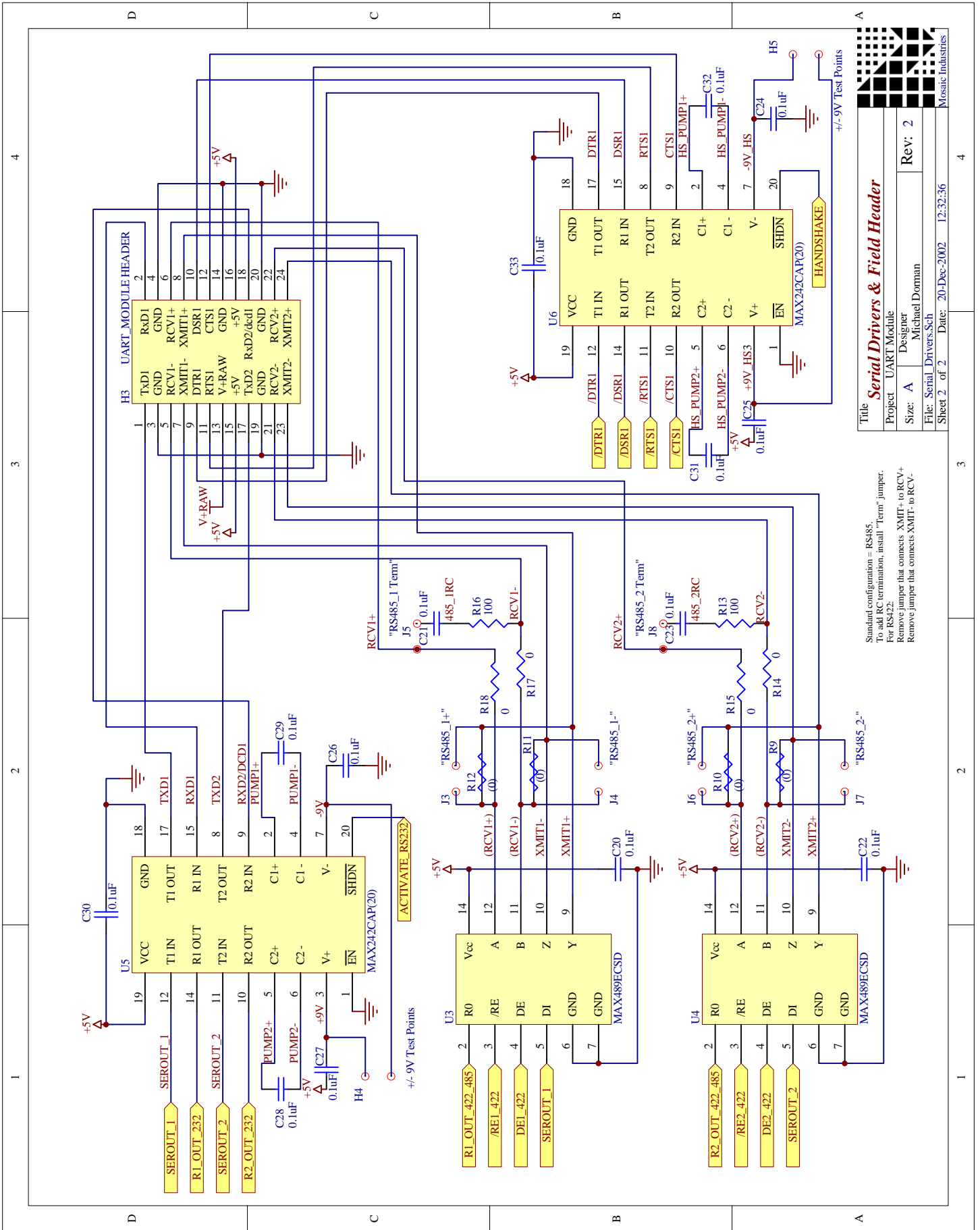


UART&CPLD	
Project	UART Module
Size	A
Designer	Michael Dorman
File	UART&CPLD.Sch
Date	20-Dec-2002 12:31:45
Sheet 1 of 2	



Mosaic Industries



Title		Serial Drivers & Field Header	
Project		UART Module	
Size: A	Designer: Michael Dorman	Rev: 2	
File: Serial_Drivers.Sch		Date: 20-Dec-2002 12:32:36	
Sheet 2 of 2		Mosaic Industries	

Standard configuration = RS485.
 To add RC termination, install "Term" jumper.
 For RS422:
 Remove jumper that connects XMIT+ to RCV+.
 Remove jumper that connects XMIT- to RCV-.