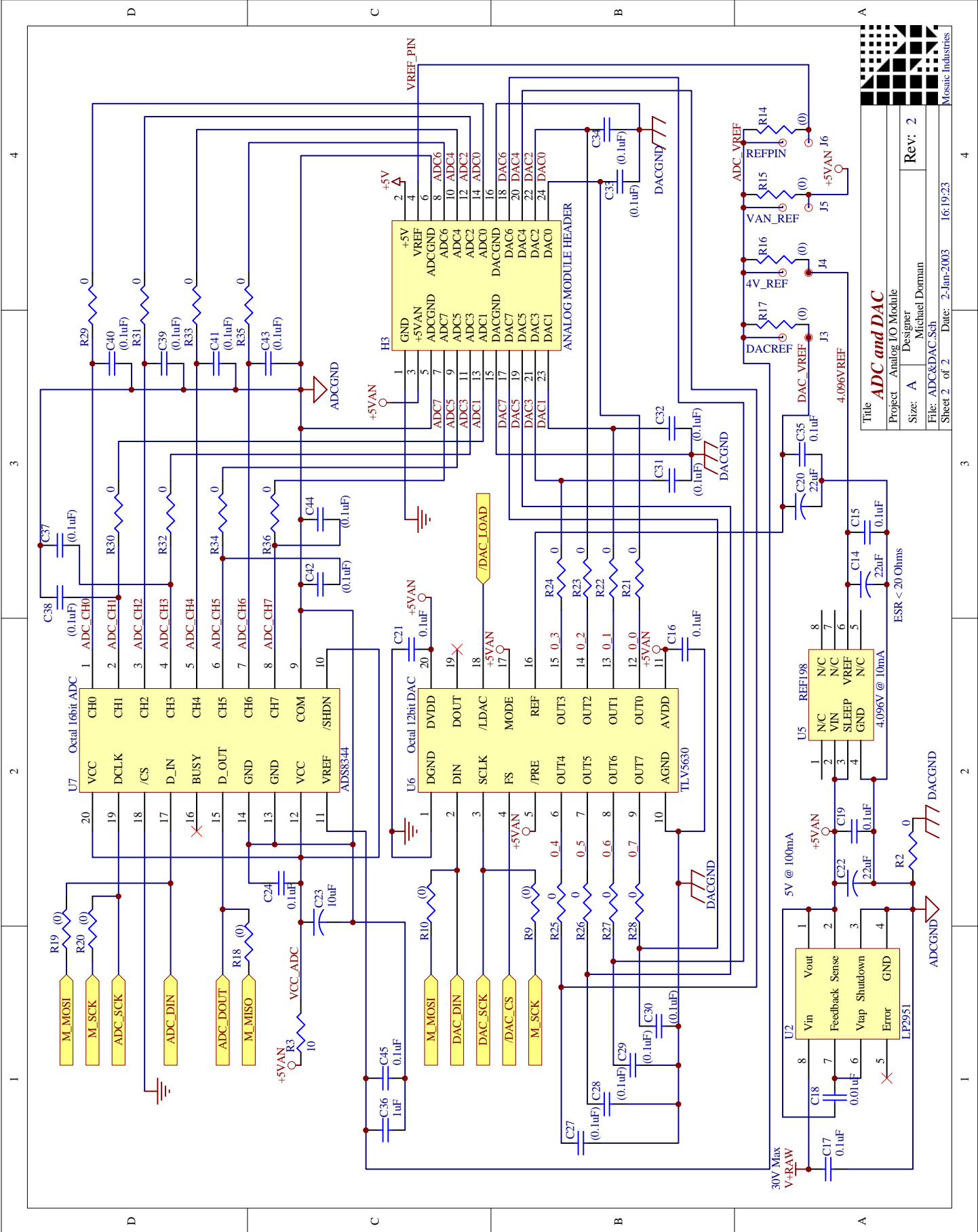


| | |
|-------------------|-------------------|
| Logic | |
| Project | Analog I/O Module |
| Size | A |
| Designer | Michael Dorman |
| File | Logic_Sch |
| Date | 2-Jan-2003 |
| Sheet | 1 of 2 |
| Date | 16:18:18 |
| Rev: 2 | |
| Mosaic Industries | |



| | |
|--------------------|---------------------------|
| ADC and DAC | |
| Project | Analog I/O Module |
| Size | A |
| Designer | Michael Dorman |
| File | ADC&DAC.Sch |
| Sheet 2 of 2 | Date: 2-Jan-2003 16:19:23 |
| Rev: 2 | |